

C A T A L O G U E

# BATHROOM

# CONCEALED MIXERS



# Concealed mixers



## Pola series

NEW NEW NEW NEW NEW NEW

### bath mixer

for concealed installation, with shower set



FINISH: CHROME  
CODE: BAP\_011P  
EAN: 5907791182944



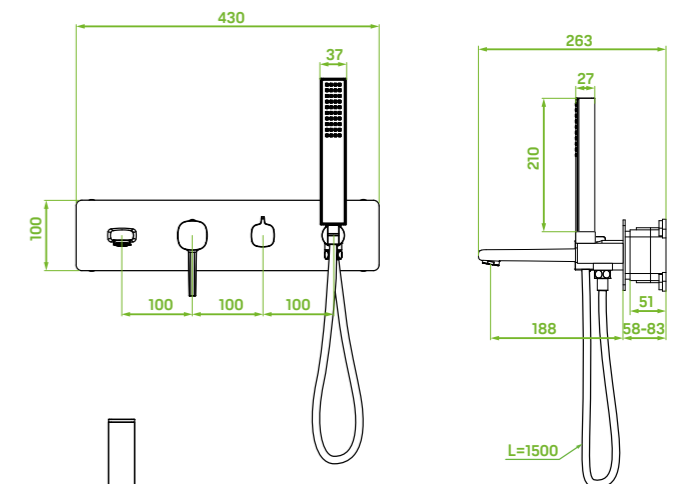
FINISH: BLACK  
CODE: BAP\_711P  
EAN: 5907791182951



FINISH: ROSE GOLD  
CODE: BAP\_811P  
EAN: 5907791182968



FINISH: GOLD  
CODE: BAP\_G11P  
EAN: 5907791182975



CERAMIC SHOWER SWITCH

RAIN STREAM (OVERHEAD RAIN SHOWER, HAND SHOWER)

ANTI-CALC SYSTEM

ANTI-TWIST SYSTEM

EASY CLEANING

BOX

material: brass, plastic

spout reach 188 mm

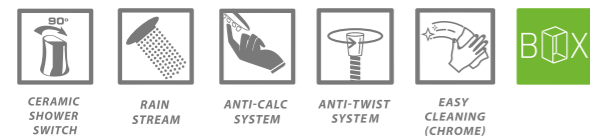
ceramic cartridge: 35 mm

flow class: spout  $S \leq 19,8$  l/min, hand shower  $A \leq 15$  l/min

type of hose: metal braided rubber

length of hose: 1500 mm

included: shower set, concealed box, elements for surface-mounting and concealed installation

NEW NEW NEW  
NEW NEW NEW**bath mixer**  
free-standingFINISH: CHROME  
CODE: BAP\_011S  
EAN: 5907791183255FINISH: BLACK  
CODE: BAP\_711S  
EAN: 5907791183262FINISH: ROSE GOLD  
CODE: BAP\_811S  
EAN: 5907791183279FINISH: GOLD  
CODE: BAP\_G11S  
EAN: 5907791183286

material: brass, plastic

spout reach: 205 mm

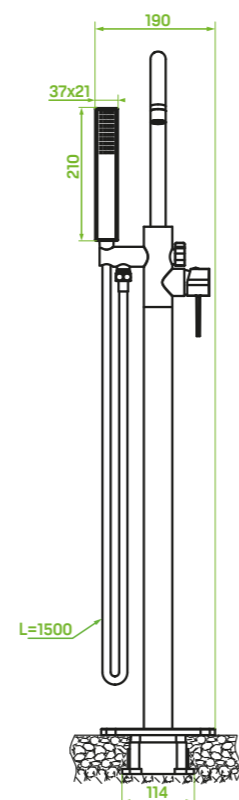
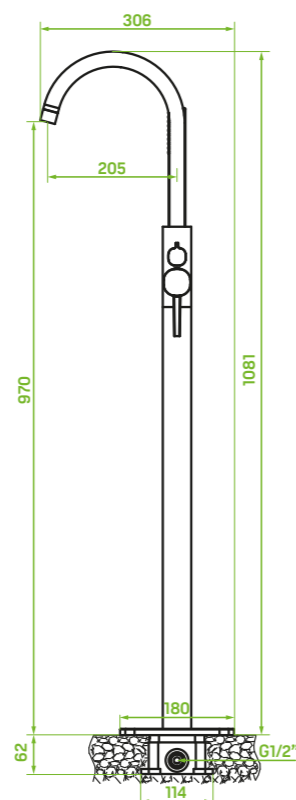
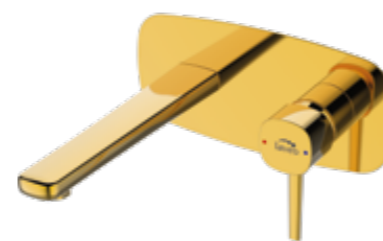
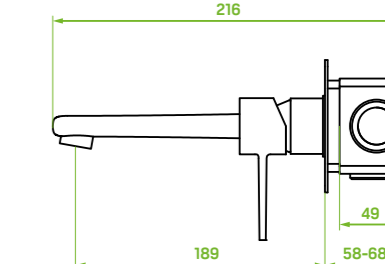
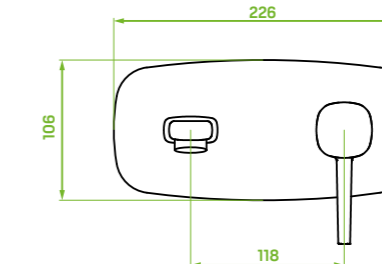
ceramic cartridge: 35 mm

flow class: spout A ≤ 15 l/min, hand shower Z ≤ 9 l/min

type of hose: metal braided rubber

length of hose: 1500 mm

included: concealed box, elements for surface-mounting and concealed installation

**washbasin mixer**  
for concealed installation, with plugFINISH: CHROME  
CODE: BAP\_022P  
EAN: 5907791171894FINISH: BLACK  
CODE: BAP\_722P  
EAN: 5907791171900FINISH: ROSE GOLD  
CODE: BAP\_822P  
EAN: 5907791171917FINISH: GOLD  
CODE: BAP\_G22P  
EAN: 5907791173683

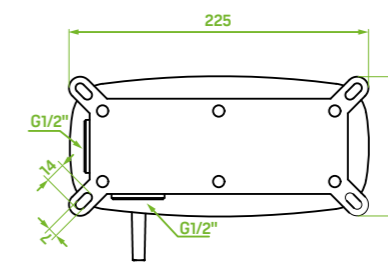
material: brass

spout reach: 189 mm

ceramic cartridge: 35 mm

flow class: A ≤ 15 l/min

included: click-clack plug, concealed box, elements for surface-mounting and concealed installation





**shower mixer**

for concealed installation, with shower set



FINISH: CHROME  
 CODE: BAP\_001P  
 EAN: 5907791146694



FINISH: BLACK  
 CODE: BAP\_701P  
 EAN: 5907791164605



FINISH: ROSE GOLD  
 CODE: BAP\_801P  
 EAN: 5907791164674



FINISH: GOLD  
 CODE: BAP\_G01P  
 EAN: 5907791173652



material: brass, steel, plastic

ceramic cartridge: 35 mm

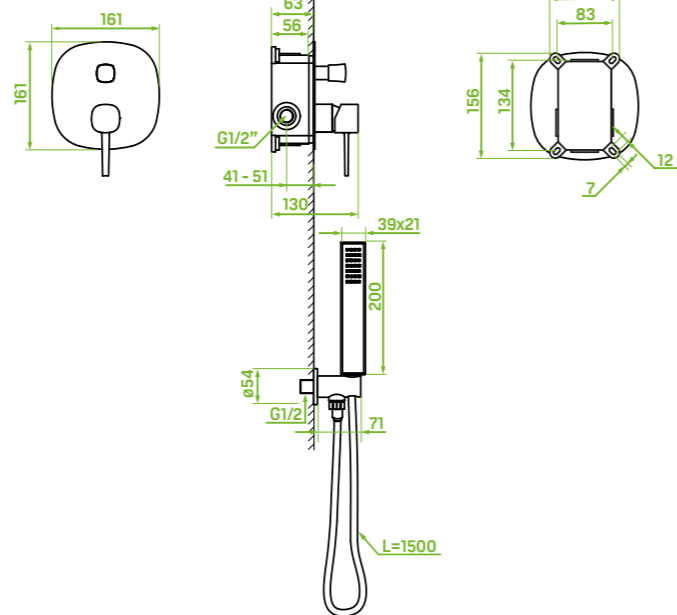
flow class: overhead rain shower A ≤ 15 l/min,  
 hand shower A ≤ 15 l/min

type of hose: metal braided rubber

length of hose: 1500 mm

overhead rain shower size: 200 x 200 mm

included: shower set, concealed box, elements for surface-mounting and concealed installation



# Pretto series



NEW NEW NEW  
NEW NEW NEW



**bath mixer**  
for concealed installation with shower set



FINISH: CHROME  
CODE: BAO\_011P  
EAN: 5907791182913



FINISH: BLACK  
CODE: BAO\_711P  
EAN: 5907791182920



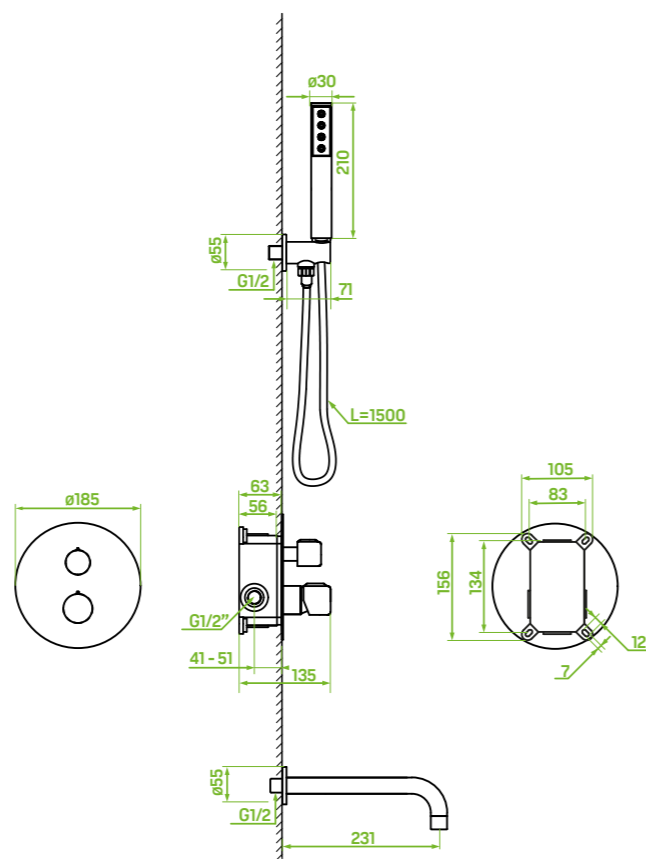
FINISH: GRAPHITE  
CODE: BAO\_911P  
EAN: 5907791182937

Flexible, easy to clean and pleasant to touch silicone shower hose.



material: brass  
spout reach: 231 mm  
ceramic cartridge: 35 mm  
flow class: spout A ≤ 15 l/min, hand shower Z ≤ 9 l/min  
type of hose: silicone coated rubber  
length of hose: 1500 mm

included: shower set, concealed box, elements for surface-mounting and concealed installation



**washbasin mixer**  
for concealed installation with plug



FINISH: CHROME  
CODE: BAO\_022P  
EAN: 5907791162205



FINISH: BLACK  
CODE: BAO\_722P  
EAN: 5907791162212

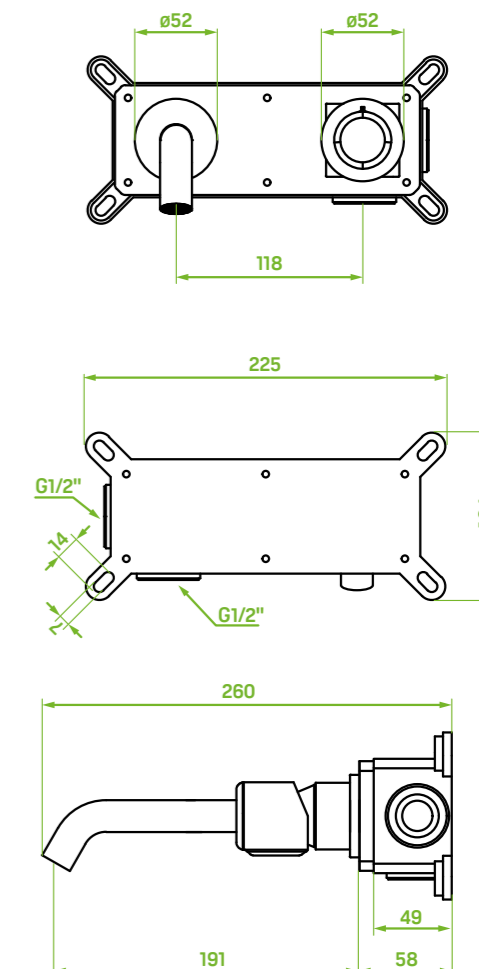


FINISH: GRAPHITE  
CODE: BAO\_922P  
EAN: 5907791162229



material: brass  
spout reach: 191 mm  
ceramic cartridge: 35 mm  
flow class: A ≤ 15 l/min

included: click-clack plug, key for aerator, concealed box, elements for surface-mounting and concealed installation







**shower mixer**

for concealed installation with shower set



FINISH: CHROME

CODE: BAO\_004P  
EAN: 5907791146885

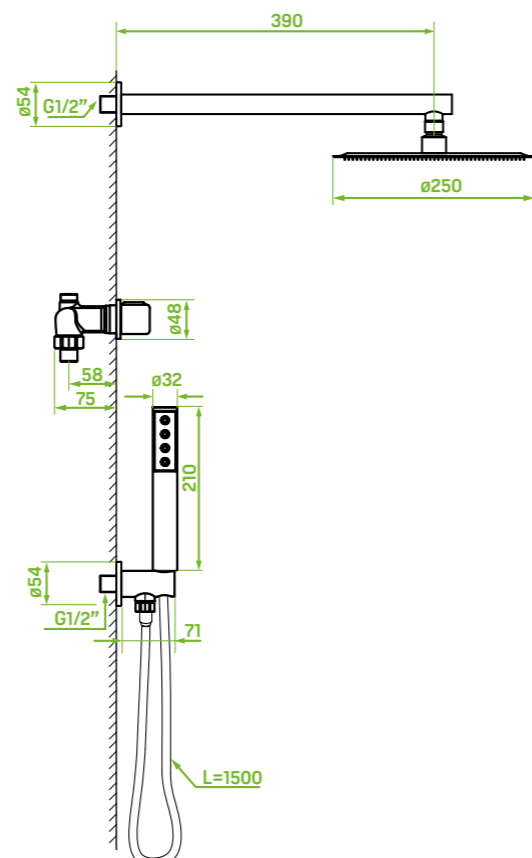
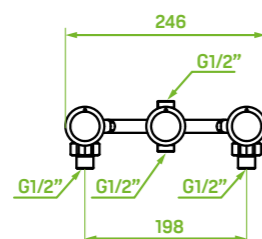
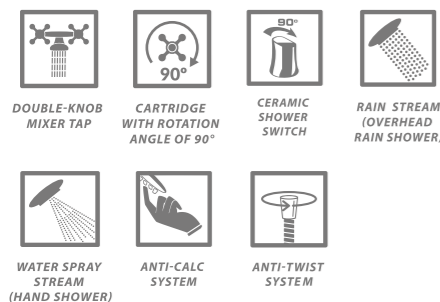
FINISH: BLACK

CODE: BAO\_704P  
EAN: 5907791146991

FINISH: GRAPHITE

CODE: BAO\_904P  
EAN: 5907791147103

Minimalistic design of 4-hole mixer with knobs set in a row. From the right angular connection with hand shower bracket is provided, then cold water knob, function switch for switching between hand shower and overhead rain shower, and hot water knob. Additionally flexible, easy to clean and pleasant to touch silicone shower hose is included.

**material:** brass, steel, plastic**ceramic cartridge:** 30 mm**flow class:** overhead rain shower A ≤ 15 l/min,  
hand shower A ≤ 15 l/min**type of hose:** silicone coated rubber**length of hose:** 1500 mm**overhead rain shower size:** Ø250 mm**cluded:** shower set, elements for surface-mounting and concealed installation



# Volumo series

## shower mixer

thermostatic, for concealed installation with shower set



FINISH: CHROME

CODE: BAV\_00TP  
EAN: 5907791176769

FINISH: BLACK

CODE: BAV\_70TP  
EAN: 5907791176820

Mixer fitted with special thermostatic cartridge allows to set a desired water temperature, the same any time the stream is activated. It gives a possibility to set a desired constant water temperature, without a risk of burns. This solution is popular in flats occupied by elderly people and families with small children for safety reasons.

\*Fittings started by button, possibility to adjust the intensity of water outflow with the function switch.



material: brass, steel, plastic

thermostatic cartridge

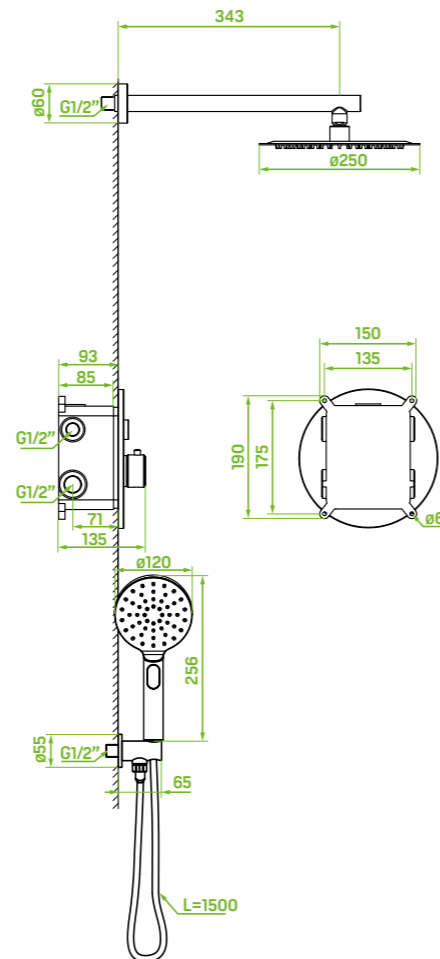
flow class: overhead rain shower A  $\leq 15$  l/min, hand shower Z  $\leq 9$  l/min

type of hose: metal braided rubber

length of hose: 1500 mm

overhead rain shower size:  $\varnothing 250$  mm

included: shower set, concealed box, elements for surface-mounting and concealed installation



# Muro series

## washbasin mixer

for concealed installation with plug

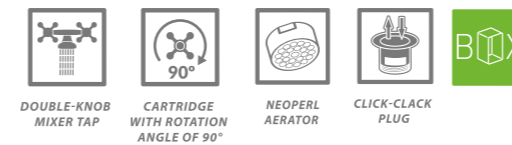


FINISH: BLACK

CODE: BAU\_722P  
EAN: 5907791166203

FINISH: GRAPHITE

CODE: BAU\_922P  
EAN: 5907791166272



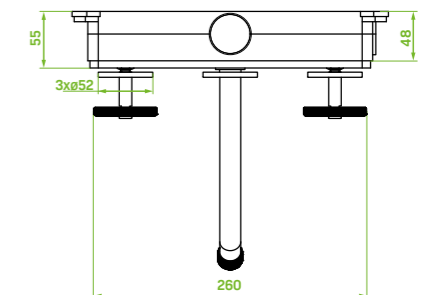
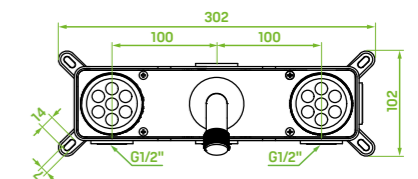
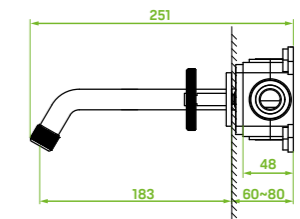
material: brass

spout reach: 183 mm

cartridge: 1/2"

flow class: A  $\leq 15$  l/min

included: click-clack plug, concealed box, elements for surface-mounting and concealed installation





**bath and shower mixer**

for concealed installation with shower set



FINISH: BLACK  
 CODE: BAU\_711P  
 EAN: 5907791166180

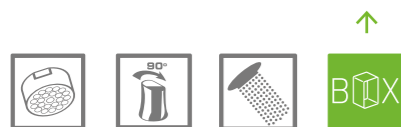


FINISH: GRAPHITE  
 CODE: BAU\_911P  
 EAN: 5907791166258

Bath and shower mixer is a 3-in-1 option. With innovative constructional solutions it is suitable for:

- bathtubs with screen
- bathrooms with bathtub - installation with spout
- shower cabins - installation with overhead rain shower.

Resizing from selected elements is possible by stopping a corresponding hole as specified in assembly instructions.



material: brass, steel, plastic

spout reach: 180 mm

flow class: spout A ≤ 15 l/min,  
 overhead rain shower A ≤ 15 l/min, hand shower Z ≤ 9 l/min

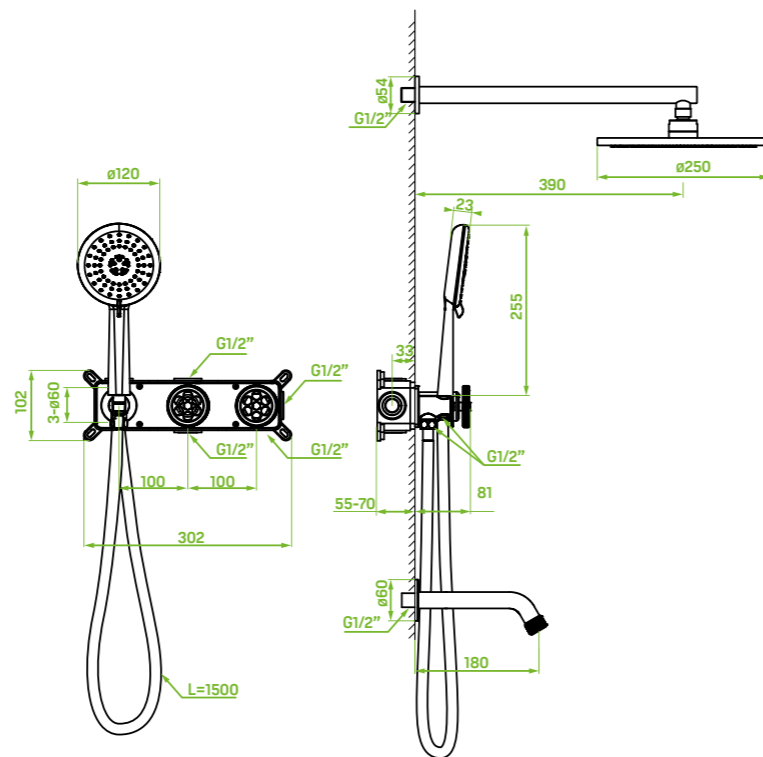
ceramic cartridge: 35 mm

type of hose: metal braided rubber

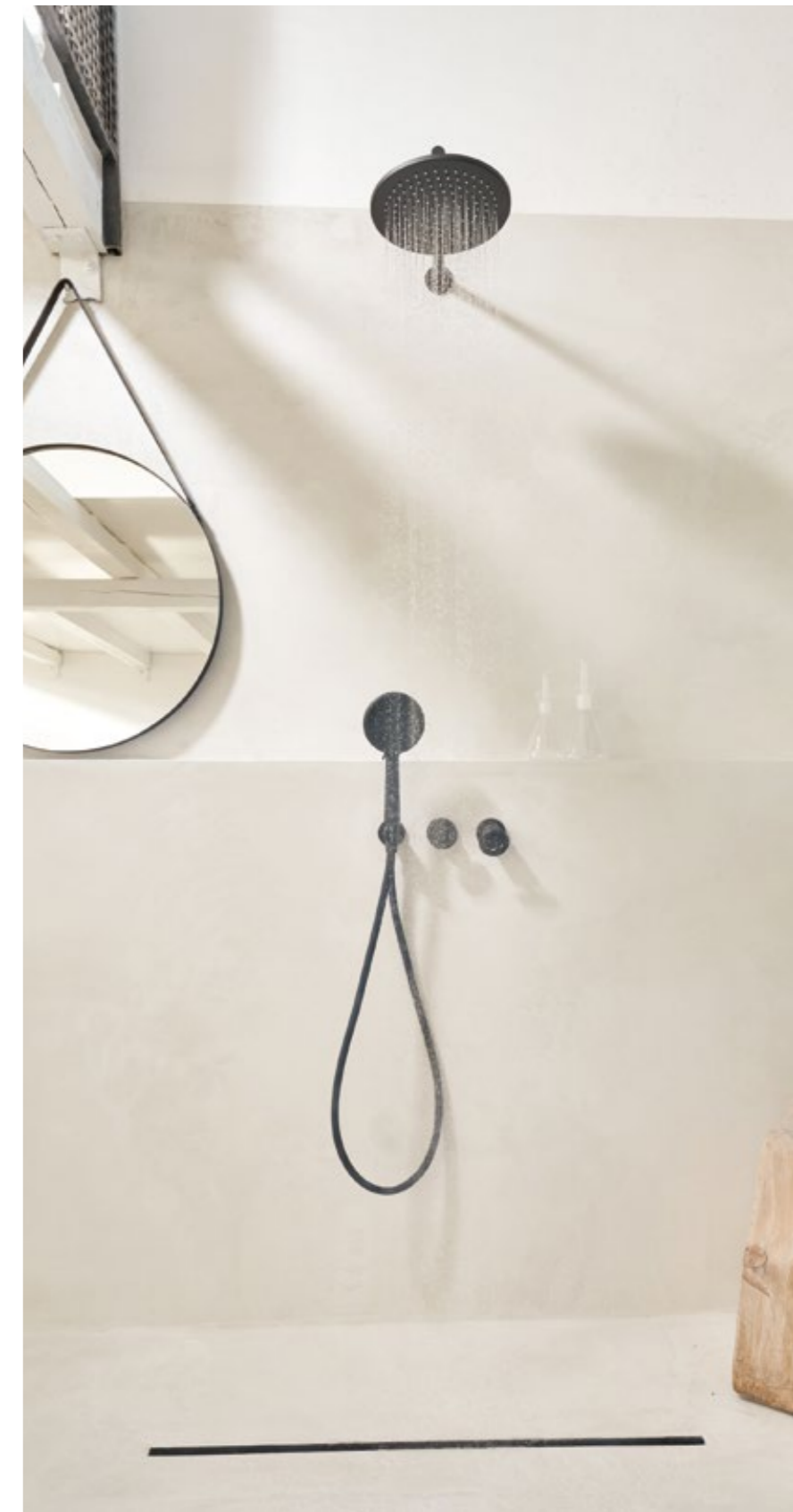
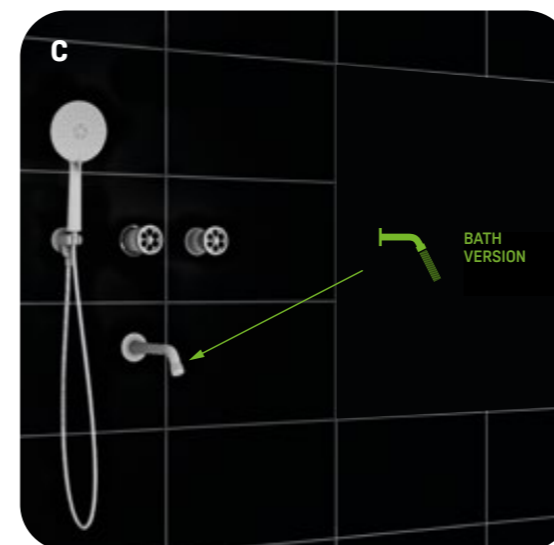
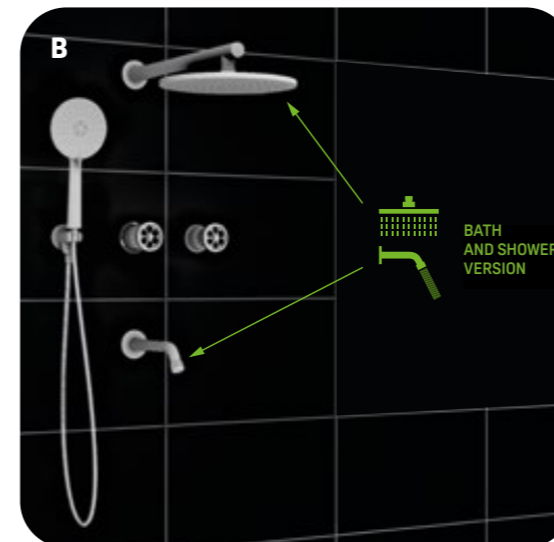
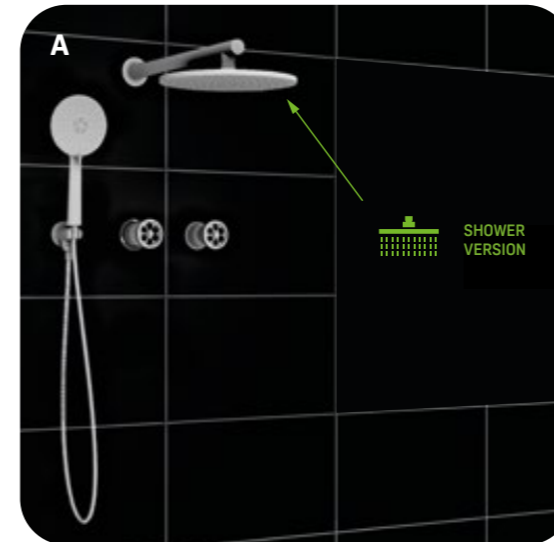
length of hose: 1500 mm

overhead rain shower size: Ø250 mm

included: shower set, concealed box, elements for surface mounting and concealed installation, box stopper



**POSSIBLE VARIANTS OF CONNECTION OF BATH AND SHOWER MIXER**



# Kvadrato series

## washbasin mixer

for concealed installation with plug

NEW NEW NEW  
NEW NEW NEW  
NEW NEW NEW



FINISH: CHROME  
CODE: BLQ\_022P  
EAN: 5907791177438



FINISH: BLACK  
CODE: BLQ\_722P  
EAN: 5907791177421



CLICK-CLACK  
PLUG

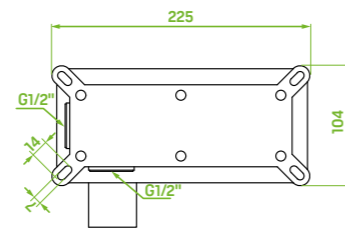
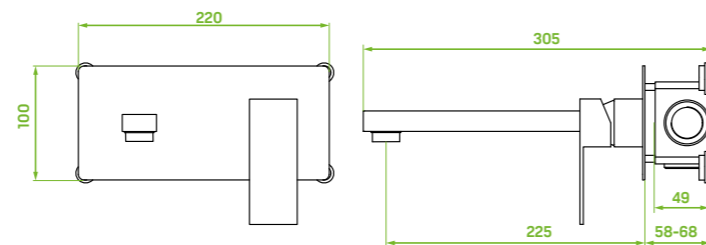
material: brass

spout reach: 225 mm

ceramic cartridge: 35 mm

flow class: S ≤ 19,8 l/min

included: click-clack plug, concealed box, elements for surface-mounting and concealed installation



## shower mixer

for concealed installation with shower set



FINISH: CHROME  
CODE: BLQ\_002P  
EAN: 5907791148759



FINISH: BLACK  
CODE: BLQ\_702P  
EAN: 5907791177407

NEW NEW NEW  
NEW NEW NEW  
NEW NEW NEW



CERAMIC  
SHOWER  
SWITCH



RAIN STREAM  
(OVERHEAD  
RAIN SHOWER,  
HAND SHOWER)



ANTI-CALC  
SYSTEM



ANTI-TWIST  
SYSTEM



material: brass, steel, plastic

ceramic cartridge: 35 mm

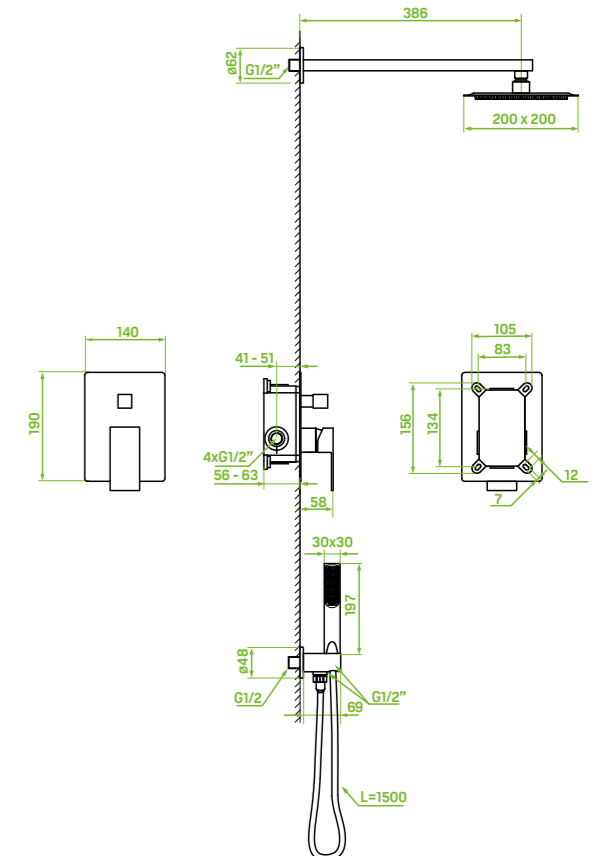
flow class: overhead rain shower A ≤ 15 l/min,  
hand shower A ≤ 15 l/min

type of hose: metal braided rubber

length of hose: 1500 mm

overhead rain shower size: 200x200 mm

included: shower set, concealed box, elements for surface-mounting and concealed installation





# Largo series

**shower mixer**  
for concealed installation with switch



FINISH: CHROME  
CODE: BAH\_00PD  
EAN: 5907791146564



FINISH: WHITE/CHROME  
CODE: BAH\_60PD  
EAN: 5907791146625



FINISH: BLACK/CHROME  
CODE: BAH\_70PD  
EAN: 5907791146687

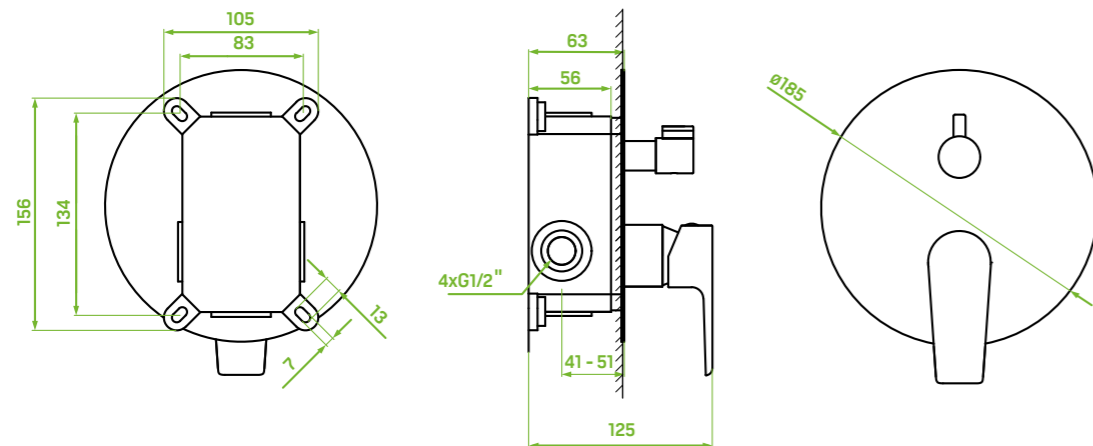


material: brass

ceramic cartridge: 35 mm

flow class: A ≤ 15 l/min

included: concealed box, elements for surface-mounting and concealed installation



# Alea series

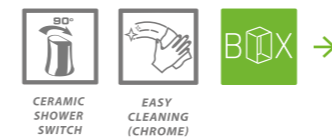
**shower mixer**  
for concealed installation with switch



FINISH: CHROME  
CODE: BLE\_00PD  
EAN: 5907791144867



FINISH: WHITE/CHROME  
CODE: BLE\_60PD  
EAN: 5907791144874

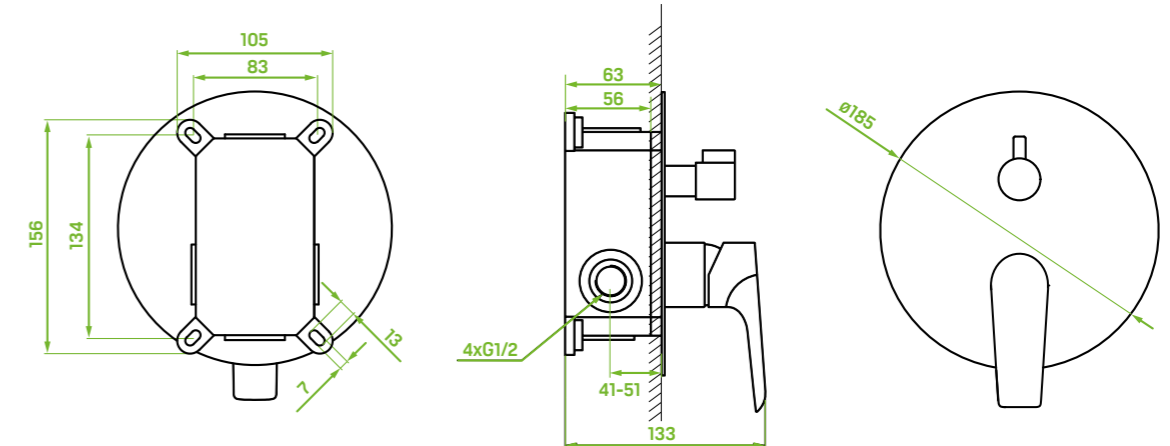


material: brass

ceramic cartridge: 35 mm

flow class: S ≤ 19,8 l/min

included: concealed box, elements for surface-mounting and concealed installation



# Plato series

## shower mixer

for concealed installation with shower set



FINISH: CHROME

CODE: BLY\_001P  
EAN: 5907791144881



CERAMIC  
SHOWER  
SWITCH



RAIN STREAM  
(OVERHEAD  
RAIN SHOWER,  
HAND SHOWER)



ANTI-CALC  
SYSTEM



EASY  
CLEANING  
(CHROME)



BOX

material: brass, steel, plastic

ceramic cartridge: 35 mm

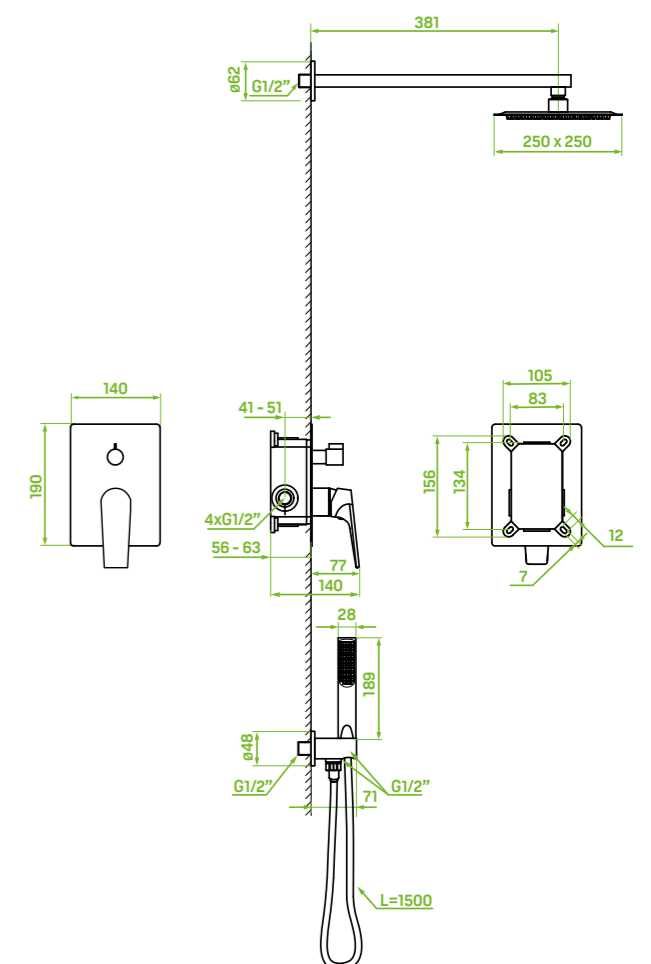
flow class: spout A ≤ 15 l/min,  
hand shower A ≤ 15 l/min

type of hose: metal braided rubber

length of hose: 1500 mm

overhead rain shower size: 250 x 250 mm

included: shower set, concealed box, elements for surface-mounting and concealed installation





# Appia series

## shower mixer

for concealed installation with switch



FINISH: CHROME  
CODE: BLP\_00PD  
EAN: 5907791102911



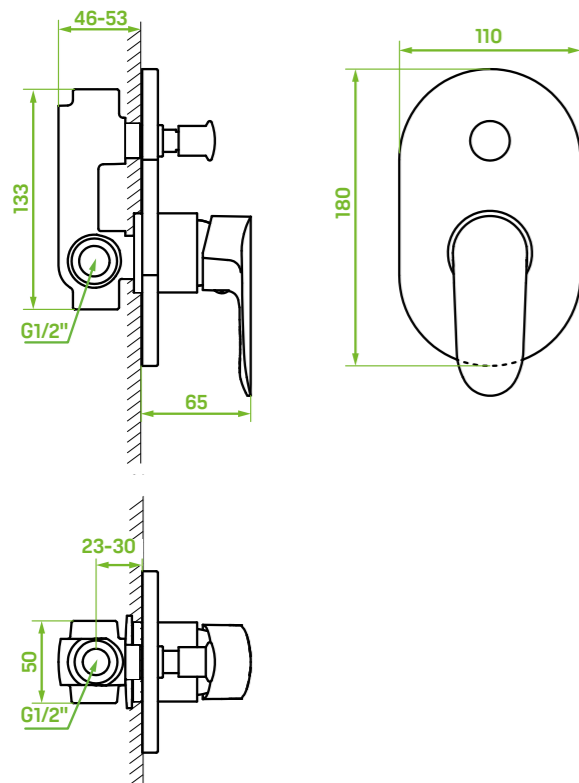
EASY  
CLEANING  
(CHROME)

material: brass

ceramic cartridge: 35 mm

flow class: S ≤ 19,8 l/min

included: elements for surface-mounting and concealed installation



## shower mixer

for concealed installation



FINISH: CHROME  
CODE: BLP\_00QD  
EAN: 5907791102935



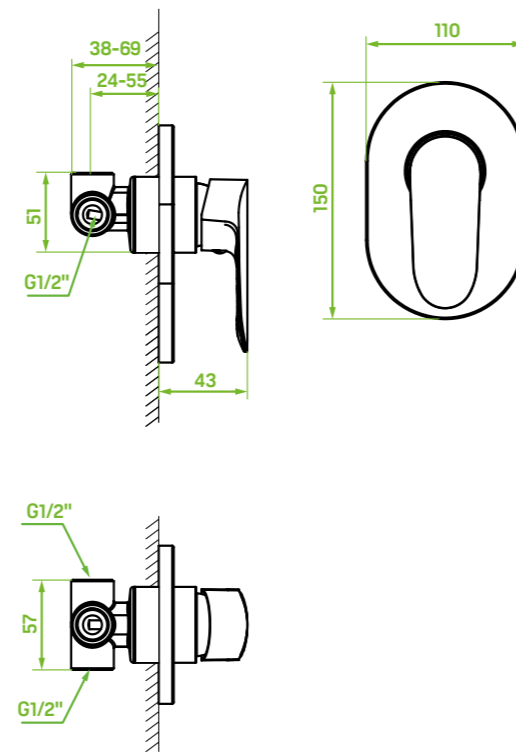
EASY  
CLEANING  
(CHROME)

material: brass

ceramic cartridge: 35 mm

flow class: S ≤ 19,8 l/min

included: elements for surface-mounting and concealed installation



# Raila series

## shower mixer

for concealed installation with shower set



FINISH: CHROME  
CODE: BLL\_001P  
EAN: 5907791107350



RAIN STREAM  
(OVERHEAD  
RAIN SHOWER,  
HAND SHOWER)



ANTI-CALC  
SYSTEM



ANTI-TWIST  
SYSTEM

material: brass, steel, plastic

ceramic cartridge: 35 mm

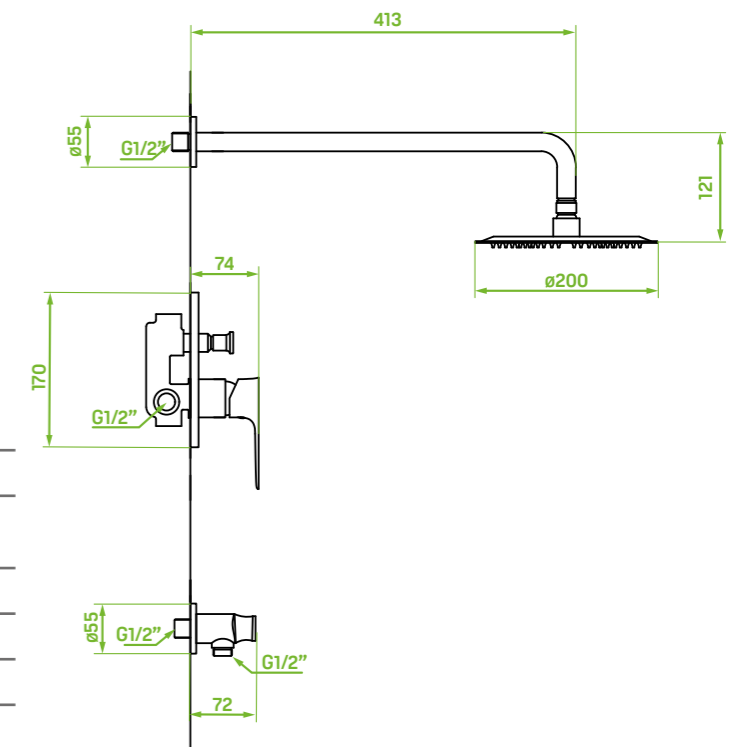
flow class: overhead rain shower A ≤ 15 l/min,  
hand shower A ≤ 15 l/min

type of hose: metal braided rubber

length of hose: 1500 mm

overhead rain shower size: Ø200 mm

included: shower set, elements for surface-mounting and  
concealed installation



# Pictograms / key



**POLISH  
PRODUCT**

Marking of products which are completely made in Poland – from design to production.



**DESIGNED  
PRODUCT**

Models designed by members of Laveo design team.



**GRANITE**

Models made of granite, adequately selected mix of sand and resin, ensuring numerous resistance characteristics.



**VARIETY  
OF COLOURS**

Models available in various colour versions.



**MOVABLE  
SPOUT**

Spout enabling 360° rotation. Improves functionality of the mixer and allows to obtain a larger useful space.



**CERAMIC  
SHOWER SWITCH**

Rotary switch that – unlike pull-out switches – works regardless of water pressure. It is used for switching between spout/overhead rain shower and hand shower. Ceramics guarantees longer life.



**BUTTON  
OPERATED SWITCH**

Possibility to switch functions with use of a comfortable button provided on the mixer body or on hand showers.



**CLICK-CLACK  
PLUG**

Plug for closing and opening outflow of water from washbasin with a single push from the top.



**THERMOSTATIC  
MIXER**

Thermostatic cartridge allowing to set a constant water temperature. There is no need to look for an optimum setting of lever when using the shower each time, so you save time, energy and reduce water consumption. According to research, the most comfortable temperature for human body is 38°C.



**COOL  
TOUCH**

Mixer body not subjecting to heat. Even after setting the highest water temperature, surface of the mixer will remain cool. Guaranteed use safety for elderly people and children.



**SENSOR  
MIXER**

Model in which water stream is activated by bringing hands closer to a special sensor. The mixer is operated without hands. Product reducing water consumption.



**START/STOP  
CARTRIDGE**

Mixer opening and closing water flow with use of a button. Allows for mixer operation with one finger after a single press.



**AUTOMATIC  
PLUG**

Plug for closing and opening outflow of water from washbasin by pulling or pushing the string provided in the mixer body.



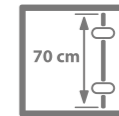
**EASY  
ASSEMBLY**

Special sleeve allowing for installation of mixer without having to use any tools. Possibility of quick installation on one's own, without an expert assistance.



**SHOWER SET  
INCLUDED**

Mixer with a set comprising shower hose, hand shower and hand shower bracket.



**LENGTH  
OF BAR**

Bar with a length of 70 cm ensuring wider range of height adjustment of hand shower bracket. Facilitation in showers which are used by adults and children of various height.



**DOUBLE-KNOB  
MIXER TAP**

Mixer in which two knobs are used for water temperature adjustment. Separate ones for cold and hot water.



**CARTRIDGE WITH ROTATION  
ANGLE OF 90°**

Movement range limited to 90° to enhance water adjustment and shorten the time required to set a desired temperature. Fitted in double-knob mixers.



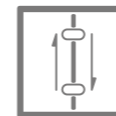
**WATER  
SAVING**

Low flow class allowing for significant reduction of water consumption. Lower water consumption means reduced bills.



**NEOPERL  
AERATOR**

Spout end designed for increasing volume of water stream through its aeration. Reduction of water consumption.



**ADJUSTABLE  
FITTING SPAN**

Possibility to adjust fitting span allowing a shower to be installed in old holes left after the previous model.



**ADJUSTABLE HEIGHT OF  
OVERHEAD RAIN SHOWER**

Possibility to adjust a height at which overhead rain shower should be set, allowing to adjust a shower to the user's height.



**RAIN  
STREAM**

Basic stream which ensures optimum use of a shower for everyday bathing.



**HYDROMASSAGE  
STREAM**

Intensive stream allowing for effective relaxation of tense muscles. It also have a positive effect on suppleness of the whole body.



**ANTI-LIMESCALE  
AERATOR**

Aerator with a function for quick and comfortable removal of limescale left by hard water. Limescale removal is effected by precipitation from rubber protrusions when sliding them with a finger.



**MOVABLE  
AERATOR**

Aerator allowing to change water outflow angle. It gives a possibility to set the stream so water is not splashed to the sides, e.g. walls in shallow washbasins.



**COIN SLOT  
AERATOR**

Aerator with a crosswise slot for opening with use of a coin. Possibility to remove without having to use special tools.



**FOLDABLE  
SPOUT**

Swivel spout additionally being a switch for switching between shower set and mixer. After folding the stream is directed to shower hose, and after unfolding water runs from the spout.



**CASCADE  
STREAM**

Wide, constant stream being result of a special flattened shape of the spout.



**SOFT  
STREAM**

Gentle stream which is obtained by aerating water. Perfect for long and relaxing baths.



**WATER  
SPRAY STREAM**

The most gentle stream available in showers. Intended for washing face and gentle and irritated areas.



**MIXED  
STREAM**

Stream combining two water intensities – usually rain and hydromassage. Allows for use of two outflow types at once with an intermediate switch setting.



# Pictograms / key



## STOP FUNCTION

Possibility to stop water stream directly in hand shower without having to turn water off with use of mixer.



## SELF-CLEANING

System removing limescale left by hard water with use of special needles provided in nozzles. Activated with a button provided on hand shower or overhead rain shower.



## ANTI-CALC SYSTEM

Special silicone protrusions in hand showers and overhead rain showers which allow for limescale removal and ensure nozzle permeability. Just slide hand over them to remove limescale.



## ANTI-TWIST SYSTEM

System preventing unaesthetic tangling of shower hose and facilitating putting hand shower back in the bracket.



## HIGH LOAD CAPACITY

Frame is resistant to loads of up to 400 kg.



## ALL CONNECTIONS INCLUDED

The set includes all elements necessary for installation. There is no need to buy separate parts.



## PRODUCT WITH ATTESTATION

Model with attestation of the National Institute of Public Health. Confirmation of compliance with current safety standards (human health and natural environment).



## RESISTANT TO THERMAL SHOCK

Material resistant to differential temperature between 0 and 90°C.



## STRETCH

Flexible shower hose which can extend its original length by 20%.



## RIMLESS TOILET BOWL

Toilet bowl in which the whole surface is enamelled. Easy to clean. No difficult-to-reach recesses in which dirt and bacteria could collect.



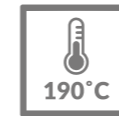
## EASY CLEANING

Surface on which limescale left after hard water is hardly visible. Smooth texture facilitating cleaning.



## CONCEALED BOX

Specialist casing ensuring free access to enclosed parts of mixer for their maintenance or possible replacement. Integrated mini-level facilitates correct installation of a mixer.



## RESISTANT TO TEMPERATURES UP TO 190°

Material resistant to high temperature of up to 190°C.



## IMPACT-RESISTANT

Material resistant to damages which can result after dropping small objects on the product from a low height.



## SCRATCH-RESISTANT

Material resistant to scratches which can be caused during everyday use.



## DISCOLOURATION-RESISTANT

Material on which, with correct use of the product, no permanent signs after discolourations remain.



## EUROPEAN QUALITY OF CARTRIDGE

Models fitted with high quality cartridges supplied by the Spanish-based manufacturer QUORE. Standard compliant with European certification.



## TOILET SEAT INCLUDED

Toilet bowl fitted with a soft-close toilet seat with quick release system.



## SOFT CLOSE

Mechanism slowing down the falling of a toilet seat. Prevents loud banging when falling quickly.



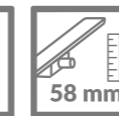
## QUICK RELEASE

Possibility to detach a toilet seat from a toilet bowl with use of a button. Facilitating thorough cleaning of a toilet seat and bowl.



## LOW HOUSING (52, 58 MM)

Construction of linear drain allowing for installation in low floors, e.g. in flats.



## QUICK WATER OVERFLOW (24, 50 L/MIN)

Construction of outlet and siphon ensuring quick draining of water from a shower to the sewers.



## OUTLET 44

Standard diameter of an outlet allowing to install any washbasin plug.



## SERVICE AT CUSTOMER'S LOCATION

Products covered by nation-wide service at customer's location. Applicable throughout the whole warranty period for a particular product.



## FLUSH PLATE INCLUDED

Dual flush plate which allows to adjust water flush volume according to the needs.



## SLIM FRAME

Thin construction of a frame with a depth of 100 to 175 mm, allowing for installation in small-sized bathrooms.



## SILENT OPERATION

Noise resulting from filling of cistern is limited to 9dB thanks to water cistern soundproofing with expanded polystyrene.



## ADJUSTABLE FLUSH VOLUME

Possibility to change flush volume between 2/6.26 L to 3.25/7.5 L with a knob located under the flush plate. Additional adjustment outside dual flush plate.



## WARRANTY 2, 8, 10

Specification of warranty period for a particular product. For detailed warranty conditions for product components please refer to warranty cards of particular models.



